

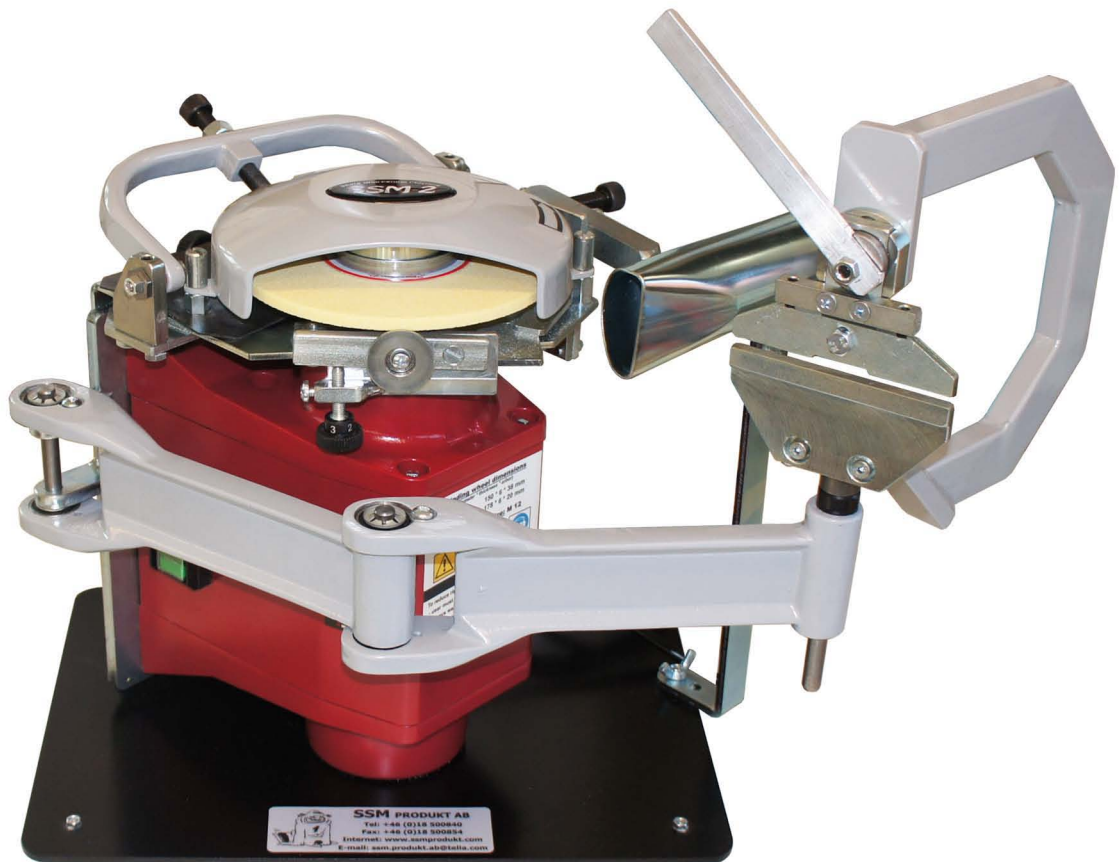
SSM-2

INSTRUCTION MANUAL



WARNING!

TO REDUCE THE RISK OF INJURY, USER MUST READ AND UNDERSTAND THIS INSTRUCTION MANUAL.



ORIGINAL INSTRUCTIONS



Date of purchase:



SSM-2 skate sharpening machine

**Congratulations on your purchase of a SSM-2 skate sharpening machine.
We sincerely thank you for selecting a product from SSM Produkt AB.**

To obtain an additional copy of this manual, please contact SSM at:



SSM PRODUKT AB

Vaksala-Eke
SE-755 94 Uppsala, Sweden

Tel: +46 (0)18 500840

E-mail: ssm.produkt.ab@telia.com

Internet: www.ssmprodukt.com

TABLE OF CONTENTS

Limited Warranty.....	2
General Safety Rules.....	3-4
Specific Safety Rules and Symbols.....	5
Functional Description.....	6-7
Assembly.....	8
Operation.....	9-11
Maintenance.....	12-13
Technical Specifications and Dimensions.....	13
Accessories.....	14-15

LIMITED WARRANTY



Scope of warranty

This warranty covers any defects in materials and workmanship under normal use.

Period of coverage

This warranty runs for two (2) years from the date of purchase. Please save your receipt or invoice.

Limitations

Failures due to abuse, misuse or an event or effect that cannot be reasonably anticipated or controlled (such as flood, earthquake, act of God etc.) are not covered by this warranty. Surface coating problems caused by excessive humidity, in-use scratches or abrasions, and direct exposure to the elements are also not covered.

Repair or replacement is the only option available under this warranty. SSM Produkt AB (SSM) is not responsible for damages of any kind, including incidental and consequential damages.

Incidental damages include but are not limited to such damages as loss of time and loss of use. Consequential damages include but are not limited to the cost of repairing or replacing property that was damaged if the product from SSM does not work properly.

Correction of details

If your product cannot be repaired, we will replace your product free of charge.

How to get service

Please return the defective product together with the purchase receipt or the invoice. You can obtain service by contacting a dealer of SSM products or SSM directly. At our discretion, the dealer or SSM will either repair or replace your product.

How country and state laws relates to the warranty

This warranty gives you specific legal rights. You may also have other rights that vary from country to country and from state to state.

**SSM PRODUKT AB RESERVES THE RIGHT TO MAKE IMPROVEMENTS
AND MODIFICATIONS TO DESIGN WITHOUT PRIOR NOTICE.**

**SSM PRODUKT AB
VAKSALA-EKE, SE-75594, UPPSALA, SWEDEN**

GENERAL SAFETY RULES



WARNING!

When using electric tools basic safety precautions should always be followed to reduce the risk of fire, electric shock and personal injury including the following.

Read all these instructions before attempting to operate this product and save these instructions.

Safe Operation

Keep your work area clear.

- Cluttered areas and benches invite injuries.

Consider work area environment.

- Do not expose tools to rain.
- Do not use tools in damp or wet locations.
- Keep work area well lit.
- Do not use tools in the presence of flammable liquids or gases.

Guard against electric shock.

- Avoid body contact with earthed or grounded surfaces (i.e. pipes, radiators, ranges, refrigerators).

Keep other persons away.

- Do not let persons, especially children, not involved in the work touch the tool or the extension cord and keep them away from the work area.

Store idle tools.

- When not in use, tools should be stored in a dry locked-up place, out of reach of children.

Do not force the tool.

- It will do the job better and safer at the rate for which it was intended.

Use the right tool.

- Do not force small tools to do the job of a heavy duty tool.
- Do not use tools for purposes not intended; for example do not use circular saws to cut tree limbs or logs.

Dress properly.

- Do not wear loose clothing or jewelry; they can be caught in moving parts.
- Non-skid footwear is recommended when working outdoors.
- Wear protective hair covering to contain long hair.

Use protective equipment.

- Use safety glasses and hearing protection.
- Use face or dust mask if working operations create dust.

Connect dust extraction equipment.

- If the tool is provided for the connection of dust extraction and collecting equipment, ensure these are connected and properly used.

Do not abuse the cord.

- Never yank the cord to disconnect it from the socket. Keep the cord away from heat, oil and sharp edges.

Secure work.

- Where possible use clamps or a vice to hold the work. It is safer than using your hand.

Do not overreach.

- Keep proper footing and balance at all times.

GENERAL SAFETY RULES (continued)

Maintain tools with care.

- Keep cutting tools sharp and clean for better and safer performance.
- Follow instruction for lubricating and changing accessories.
- Inspect tool cords periodically and if damaged have them repaired by an authorized service facility.
- Inspect extension cords periodically and replace if damaged.
- Keep handles dry, clean and free from oil and grease.

Disconnect tools.

- When not in use, before servicing and when changing accessories such as blades, bits and cutters, disconnect tools from the power supply.

Remove adjusting keys and wrenches.

- Form the habit of checking to see that keys and adjusting wrenches are removed from the tool before turning it on.

Avoid unintentional starting.

- Ensure switch is in "off" position when plugging in.

Use outdoor extension leads.

- When the tool is used outdoors, use only extension cords intended for outdoor use and so marked.

Stay alert.

- Watch what you are doing, use common sense and do not operate the tool when you are tired.

Check damaged parts.

- Before further use of tool, it should be carefully checked to determine that it will operate properly and perform its intended function.
- Check for alignment of moving parts, binding of moving parts, breakage of parts, mounting and any other conditions that may affect its operation.
- A guard or other part that is damaged should be properly repaired or replaced by an authorized service center unless otherwise indicated in this instruction manual.
- Have defective switches replaced by an authorized service center.
- Do not use the tool if the switch does not turn it on and off.

Warning.

- The use of any accessory or attachment or performance of any operation with this tool other than those recommended in this instruction manual may present a risk of personal injury.

Have your tool repaired by a qualified person.

- This electric tool complies with the relevant safety rules. Repairs should only be carried out by qualified persons using original spare parts; otherwise this may result in considerable danger to the user.

Noise

- The typical A-weighted noise levels determined according to EN 61029-1:2009 :

Sound pressure level (L_{PA}): 80 dB

Sound power level (L_{WA}): 93 dB

Uncertainty (K): 2,5 dB

EC-DECLARATION OF CONFORMITY

We, SSM PRODUKT AB, Vaksala-Eke, SE-755 94, Uppsala, Sweden declare that the product SSM-2 to which this declaration relates is in conformity with the following standards:

EN 61029-1:2009

EN 55014-1:2006

EN 61000-3-2:2006

EN 61000-3-3:2008

EN 55014-2:1997+A1:2001+A2:2008



Uppsala, November 21, 2014
(place, date)

Stefan Gustavsson
(signature, name)

following the provisions of 2004/108/EC, 2006/42/EC and 2006/95/EC directives.

SPECIFIC SAFETY RULES AND SYMBOLS



WARNING!



**READ OPERATOR'S
MANUAL BEFORE USING
THE MACHINE**



**EYE AND HEARING
PROTECTION REQUIRED**

The machine must be used only for the purpose of grinding skate blades.

Always fasten the skate in the skate holder. NEVER hold skate being sharpened only by your hands.

It is important to support the work properly to get the best result possible, minimize body exposure and loss of control.

Check grinding wheel protective cover for proper fit before using the machine to minimize the risk of flying debris. Keep hands and body away from the rotating grinding wheel.

Contact with a rotating grinding wheel or parts from an exploding grinding wheel can result in serious injury.

Only use grinding wheels approved by SSM Produkt AB. Use grinding wheels with correct size and shape.

Unauthorized grinding wheels may be dangerous!

Keep grinding wheel securely fastened.

When fastening grinding wheel, never use damaged or incorrect flange, flange washer or nut.

The flange and flange washer were specially designed for the machine, for optimum performance and safety of operation.

Safety Warnings Specific for Grinding:

Use only wheel types that are recommended for your power tool and the specific guard designed for the selected wheel. *Wheels for which the power tool was not designed cannot be adequately guarded and are unsafe.*

The guard must be securely attached to the power tool and positioned for maximum safety, so the least amount of wheel is exposed towards the operator.

The guard helps to protect operator from broken wheel fragments and accidental contact with wheel.

Wheels must be used only for recommended applications. For example: do not grind with the side of cut-off wheel. *Abrasive cut-off wheels are intended for peripheral grinding, side forces applied to these wheels may cause them to shatter.*

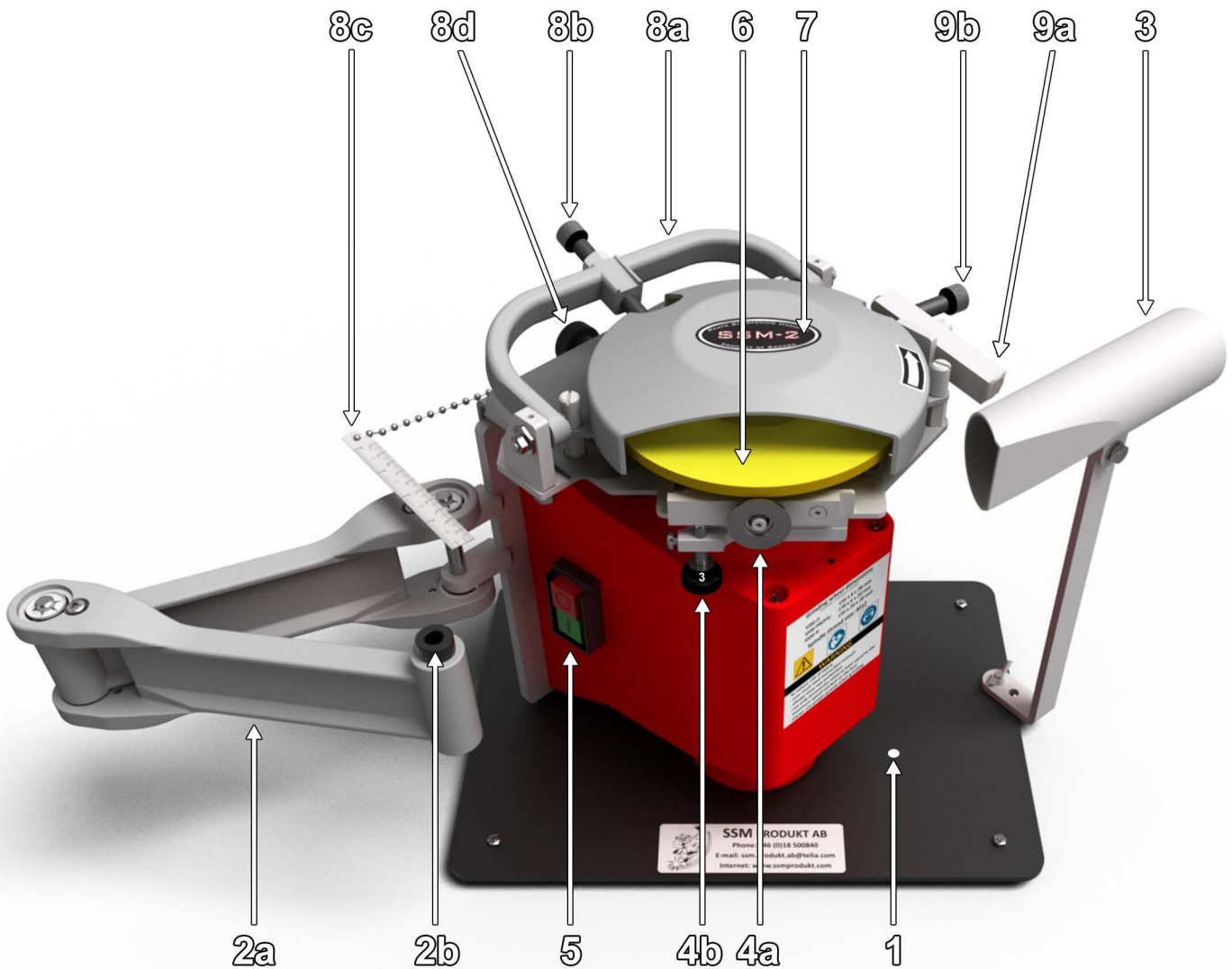
Always use undamaged wheel flanges that are of correct size and shape for your selected wheel.

Proper wheel flanges support the wheel thus reducing the possibility of wheel breakage. Flanges for cut-off wheels may be different from grinding wheel flanges.

Do not use worn down wheels from larger power tools.

Wheel intended for larger power tool is not suitable for the higher speed of a smaller tool and may burst.

FUNCTIONAL DESCRIPTION



- 1. Hole for fastening the machine
- 2a. Guide arm
- 2b. Where to put the skate holder
- 3. Extractor tube
- 4a. Blade support device
- 4b. Height adjustment screw
- 5. Power switch
- 6. Grinding wheel

- 7. Protective cover
- 8a. Pivot device
- 8b. Diamond for hollow shape
- 8c. Ruler
- 8d. Adjusting screw
- 9a. Flat surface device
- 9b. Diamond for plane shape

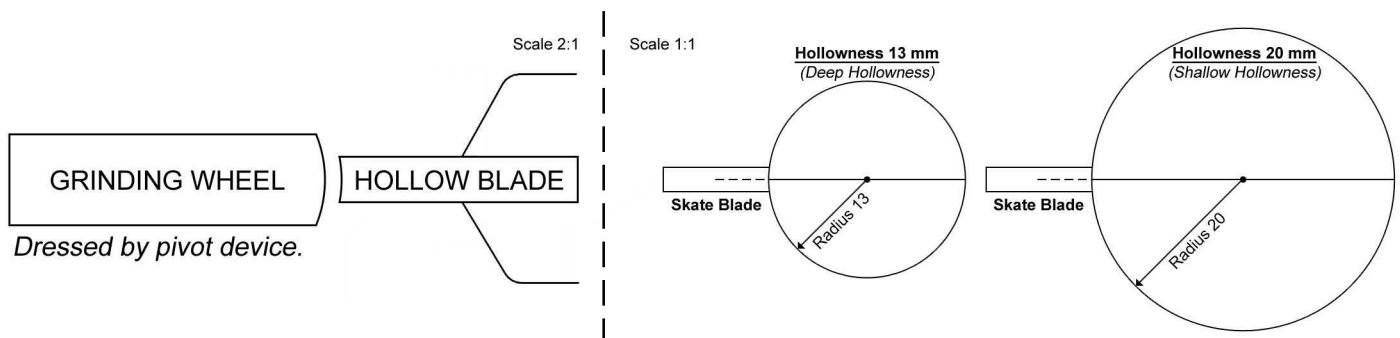
FUNCTIONAL DESCRIPTION (continued)

The machine is intended to do the finishing sharpening on skate blades (flat or hollow).

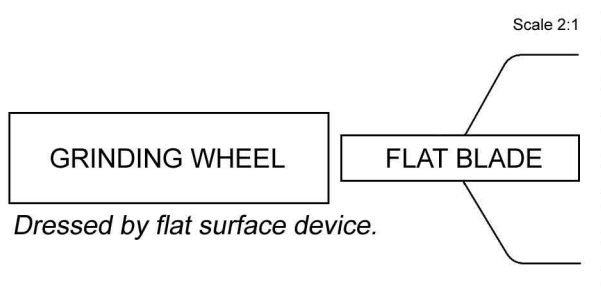
This is done by manually moving the skate blade (mounted in a holder) against a suitably dressed, rotating grinding wheel. The open construction of the machine allows for a constant and easy supervision of the sharpening process.

The machine is built around a modified electric grinding machine with a guide arm attached to it. The electric motor is attached to a bottom plate. It is intended that the bottom plate should be kept horizontal. The axle of the electric motor will then be vertical. On the axle the following items are mounted in this order: a flange, a grinding wheel, a flange washer, a balancing ring and a fastening nut. This is all partially covered by a protective cover.

1. The Hole for fastening the machine can be used to attach the machine to the surface where it's placed. Use a screw to attach it if necessary.
- 2a. The Guide arm is a flexible, horizontal arm which directs the skate holder.
- 2b. You put a skate holder in the plastic bushing on the front arm. Fasten your skate in that skate holder.
3. The Extractor tube is intended to collect sparks and other debris created when grinding and dressing. Fasten it onto the bottom plate with the wing nut in the angle you prefer; then attach a suitable dust extractor.
- 4a. The Blade support device is used to get the hollowness on your skate centered by controlling the vertical position of the skate holder. When sharpening a skate hollow, put the skate blade on top of the roller.
- 4b. The Height adjustment screw directs the vertical position of the blade support roller. The screw is marked with the digits 1 to 5 corresponding to about 0.2 mm movement per digit. (When you have screwed downwards, it is necessary to manually push the roller arm down onto the screw.)
5. The Power switch is used to turn the machine on and off.
6. The Grinding wheel rotates counter clockwise and is used to sharpen the skate blade. Use grinding wheel S-2/HP70, S-2/ME60, S-2/KB80, S-2/KB60 or S-2/60.
7. The Protective cover is a guard that protects if a grinding wheel would break. It also prevents sparks from spreading. The protective cover is fastened by three top nuts.
- 8a. The Pivot device is used with a diamond to dress the grinding wheel for hollow sharpening. Use the nut to fasten the diamond.
- 8b. Use diamond D-80 or SD-80.
- 8c. The Ruler (scale in mm/inch.) is used when measuring on the pivot device. Measure from the head of the diamond to the pivot; the distance gives the hollowness obtained on your skate. See "ADJUSTMENTS".
- 8d. The Adjusting screw is used to move the pivot device inwards or outwards. This is done by screwing it clockwise (outwards) or counter clockwise (inwards).



- 9a. The Flat surface device is used with a diamond to dress the grinding wheel for flat sharpening.
- 9b. Use diamond SD-50, SD-80 or D-80.



ASSEMBLY

Your skate sharpening machine SSM-2 is delivered complete (and the skate holder that you ordered with the machine) and protected inside its delivery box. Remove all contents from the box and inspect to ensure no damage was incurred during shipping.

Your SSM-2 package should also include the following:

DESCRIPTION	PART	#QTY
Instruction manual	SSM-2 manual.en	1
Exhaust tube	UT	1
Allen screw driver	AS 2.5 mm	1
Allen screw driver	AS 4 mm	1
Double ended wrench	DEW 8,10 mm	1
Skate holder	H-5, H-8, H-10, H-10 S or H-10 P	(the one you ordered)

Getting started:



CAUTION!

IF POSSIBLE, ALWAYS DISCONNECT THE SKATE SHARPENING MACHINE FROM THE POWER SOURCE BEFORE MAKING ADJUSTMENTS.

Place the machine on a stable, level surface.

You can fasten the machine with a screw through the hole (1) in the bottom plate.

The machine comes with a grinding wheel mounted and balanced.

Refer to MAINTENANCE: HOW TO CHANGE AND BALANCE THE GRINDING WHEEL (on page 12) if you want to replace or balance the grinding wheel.

The grinding wheel and the diamond are adjusted for a hollow radius of 20 mm when delivered from SSM Produkt AB. Refer to OPERATION: ADJUSTMENTS (on page 9) when you want to change the radius.

MAKE SURE THAT NO DIAMOND IS TOUCHING THE GRINDING WHEEL WHEN YOU START THE MACHINE. If necessary, reposition the diamonds outwards. For diamond (9b), screw it directly. For diamond (8b), screw on the adjusting screw (8d).

MAKE SURE THAT THE BLADE SUPPORT DEVICE IS NOT TOUCHING THE GRINDING WHEEL WHEN YOU START THE MACHINE. Follow the instructions under OPERATION: ADJUSTMENTS (on page 9) to reposition the blade support device if necessary.

Mount the extractor tube (3) and attach a proper dust extractor. This will reduce the amount of sparks and debris. For more complete protection, wear a suitable face mask covering mouth and nose.

Make sure you wear protection glasses and hearing protection when you use the machine.

OPERATION

ADJUSTMENTS before sharpening

Balancing grinding wheel

If necessary, exchange the grinding wheel. Balance it if needed. (See MAINTENANCE: HOW TO CHANGE AND BALANCE THE GRINDING WHEEL.)

Adjusting location of the blade support device

If necessary, adjust the position of the blade support device (4a). It should be as close to the grinding wheel as possible without touching it.

Therefore, as the grinding wheel gets smaller with time after repeated dressing (or gets bigger through exchange to a new wheel) you have to reposition the roller. To do this, first loosen the nut (M) on the right side of the roller's holder. (Avoid the nut on the left side.) You can now move the roller's holder by pushing or gently tapping on it. When in a good position, fasten the nut again. (Make sure that the roller doesn't touch the grinding wheel.)

Adjusting the height of the blade support device

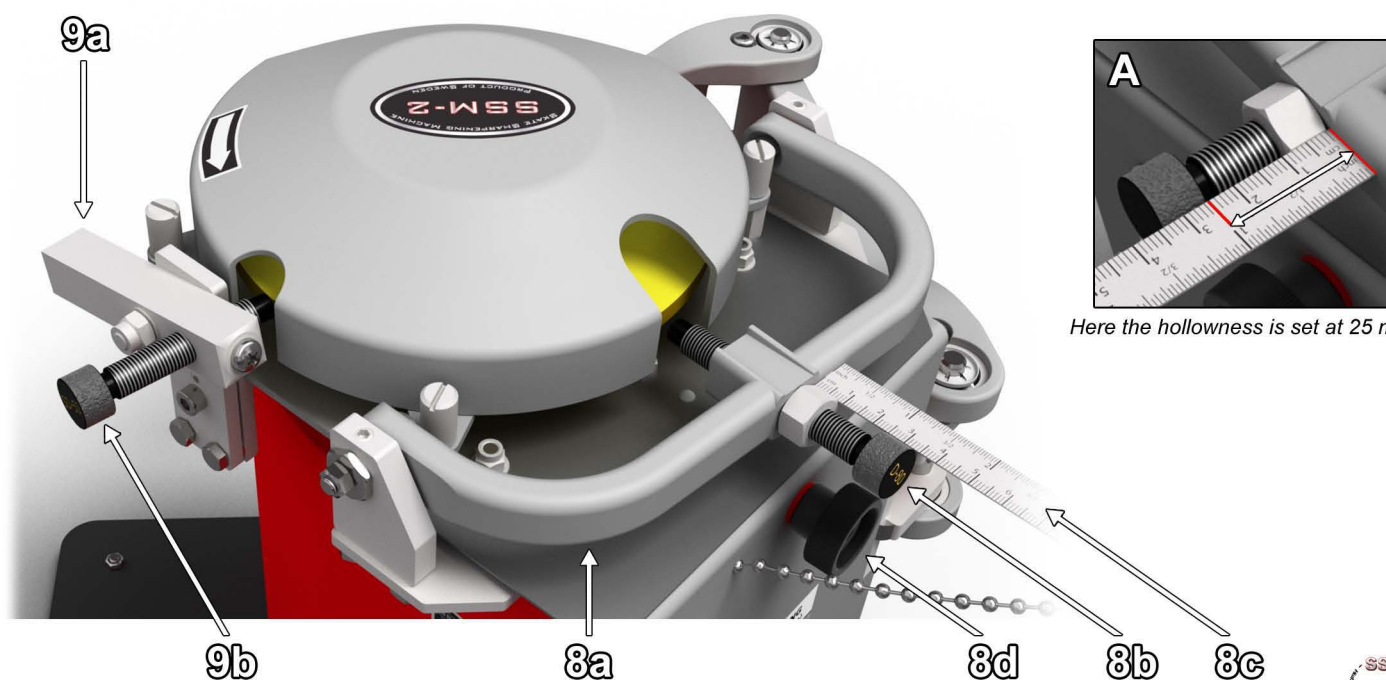
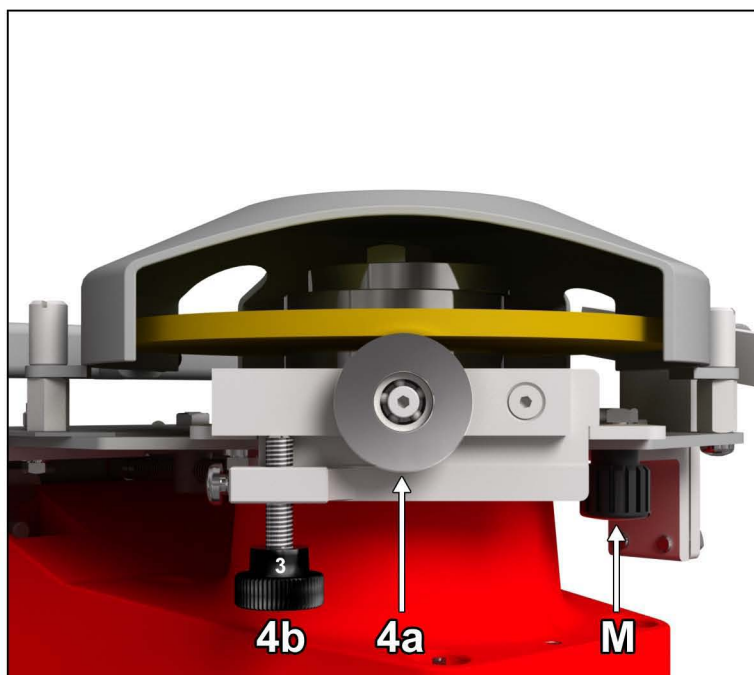
When sharpening hollow, you must make sure that the hollowness will be centered in the skate blade. A height adjustment will be necessary if the thickness of the skate blade has changed. Use the height adjustment screw (4b). See CENTERING OF THE BLADE WHEN SHARPENING HOLLOW on next page.

Dressing the grinding wheel

To dress for hollowness, use diamond (8b) in the pivot device (8a). You adjust the hollowness by screwing the diamond in or out until you reach the correct position. You use the ruler (8c) to measure from inside the head of the diamond screw (must be a D-80 or a SD-80) to the pivot device (see Fig. A). The usable limits are 8 to 38 mm. Secure the diamond in place by tightening the nut on the diamond screw.

As you dress the grinding wheel, it is consumed and gets smaller. Use the adjusting screw (8d) to move the whole assembly with the pivot device. Move in small amounts, at the same time turning the pivot device up and down until a few times when dressing occurs. The dressing should be performed gently, so as not to damage diamond or grinding wheel.

To dress flat, use diamond (9b). Screw the diamond inwards in small amounts, at the same time turning the flat surface device (9a), so that its diamond moves up and down past the grinding wheel. The last few movements should give dressing. Dress gently.



Here the hollowness is set at 25 mm.

OPERATION (continued)

CENTERING OF THE BLADE WHEN SHARPENING HOLLOW

It is important that you get the hollowness centered on the blade.

When you have dressed the grinding wheel properly, then put the skate in the holder with e.g. the front part to the left. Move the blade a few times forwards and backwards in contact with the rotating grinding wheel.

Remove the skate and put it back in the holder with the front part to the right (the blade is now upside down).

Slightly let the blade touch the grinding wheel to get a small grinding mark (witness mark).

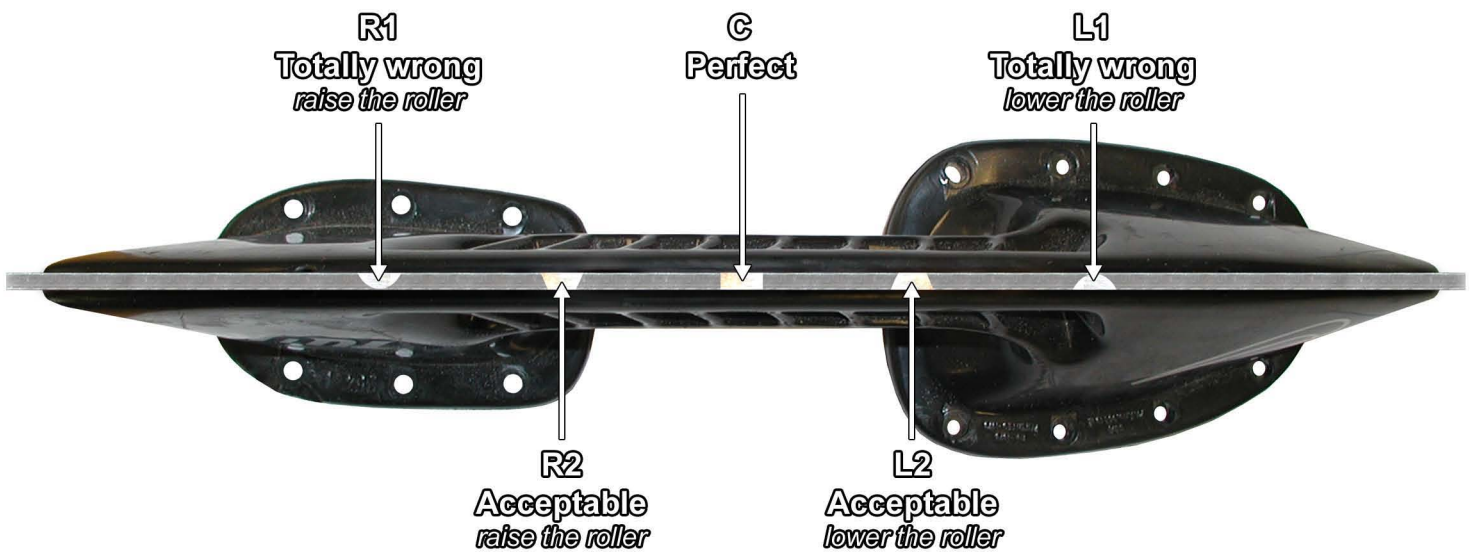
If the mark fits into the hollow (*mark C*), then the blade support device is perfectly adjusted.

If the mark covers the lower part of the blade (*mark L1 or L2*), the supporting roller is too high (adjust downwards).

If the mark covers the upper part (*mark R1 or R2*) the supporting roller is too low (adjust upwards).

The reason you might have to do this adjustment every now and then is that some skate blades differ in thickness.

Another easy way of checking if the sharpening is centered is to use the **BEC, Blade Edge Checker** (check the separate BEC instruction paper how its done).



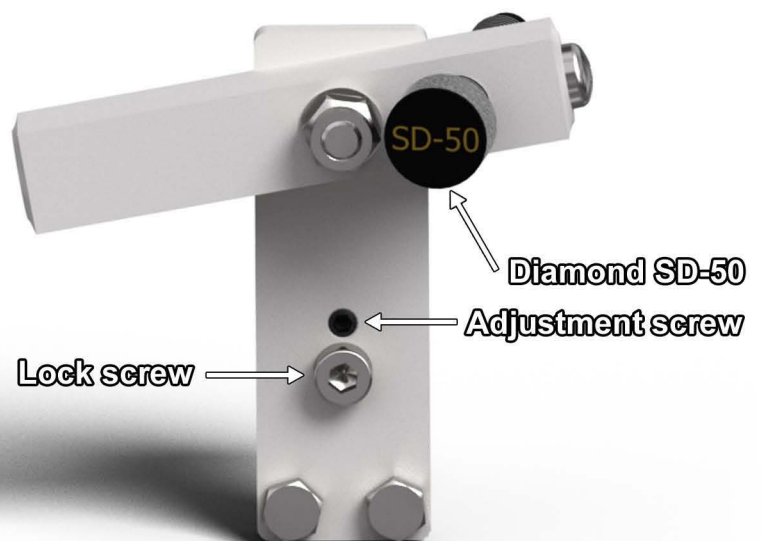
HOW TO ADJUST THE FLAT SURFACE DEVICE

The flat surface device comes with correct setting from the factory. If necessary, it can be adjusted by loosening the lock screw and correcting the angle using the adjustment screw.

You obtain the correct angle as follows:
Dress the grinding wheel. Sharpen a skate, then turn it in the holder and let the blade touch the grinding wheel to make a small witness mark.

Compare to HOW TO CHECK IF THE HOLLOWNESS IS CENTERED above. If you get a mark that is not perfect, then the angle is wrong. Adjust and try again.

(You can also use the **BEC** here for checking if the angle is correct.)



OPERATION (continued)

SHARPENING THE SKATE (advice)

Dress grinding wheel

Connect the machine to the power source and start it (*using the power switch 5*). Use the diamond (*8b or 9b*) to dress the grinding wheel so that it will give the desired shape to the blade (flat or with desired hollowness).

If the grinding wheel feels blunt, you should dress it even if the shape does not have to be changed.

Hollow sharpening: Ice hockey skates and Figure skates

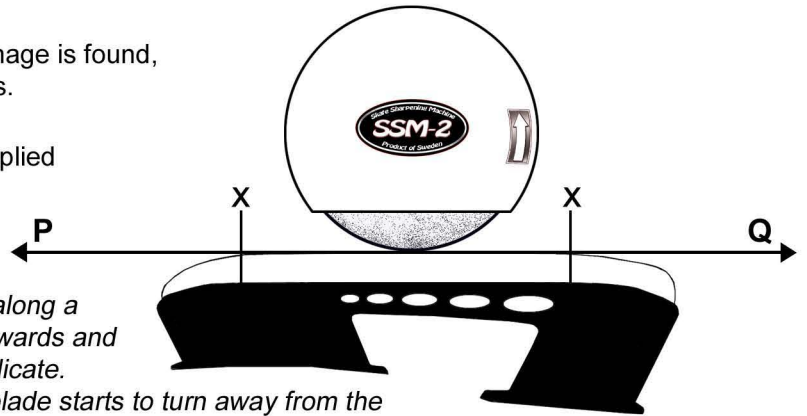
Flat sharpening: Bandy skates and Touring skates

Correct any damage on the skate blade

Check the skate blade for damage. If massive damage is found, use a whetstone to get the blade even on the sides.

Then fasten the skate in the skate holder.

Sharpen it at least twice with constant pressure applied against the grinding wheel, see figure:



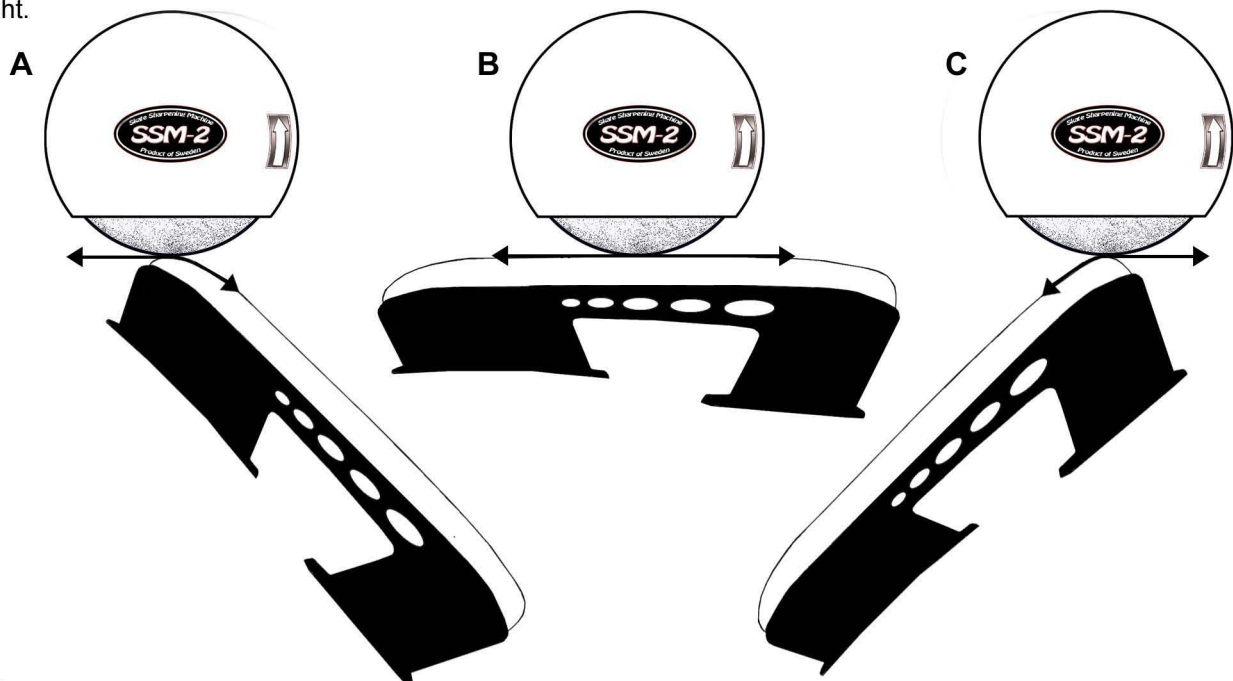
When sharpening, keep the skate blade directed along a straight line (PQ in the figure). Move the blade forwards and backwards in the same direction as the arrows indicate.

The two "X" points in the figure marks where the blade starts to turn away from the grinding wheel. Start the sharpening movement "in the air" outside an X-point. Then make a smooth contact with the grinding wheel. At the other X-point the skate will turn away from the grinding wheel. Continue the movement a bit without having contact with the grinding wheel but the skate blade still on the support roller, before turning back and doing the movement in the other direction.

Check for any remaining damage. If damage is found, repeat the sharpening until all damage or wear is gone.

Final sharpening

When no damage remains on the skate blade, sharpen the whole blade including the round ends slowly and smoothly. Use light pressure to get a better micro finish and to avoid removing too much material from the round edges. Perform the movement as shown below in one continuous sequence A+B+C or C+B+A. Remember to keep the B movement straight.



Finish

Use a flat whetstone approximately twice on each side of the blade to remove any abrasive wounds.

ATTENTION!

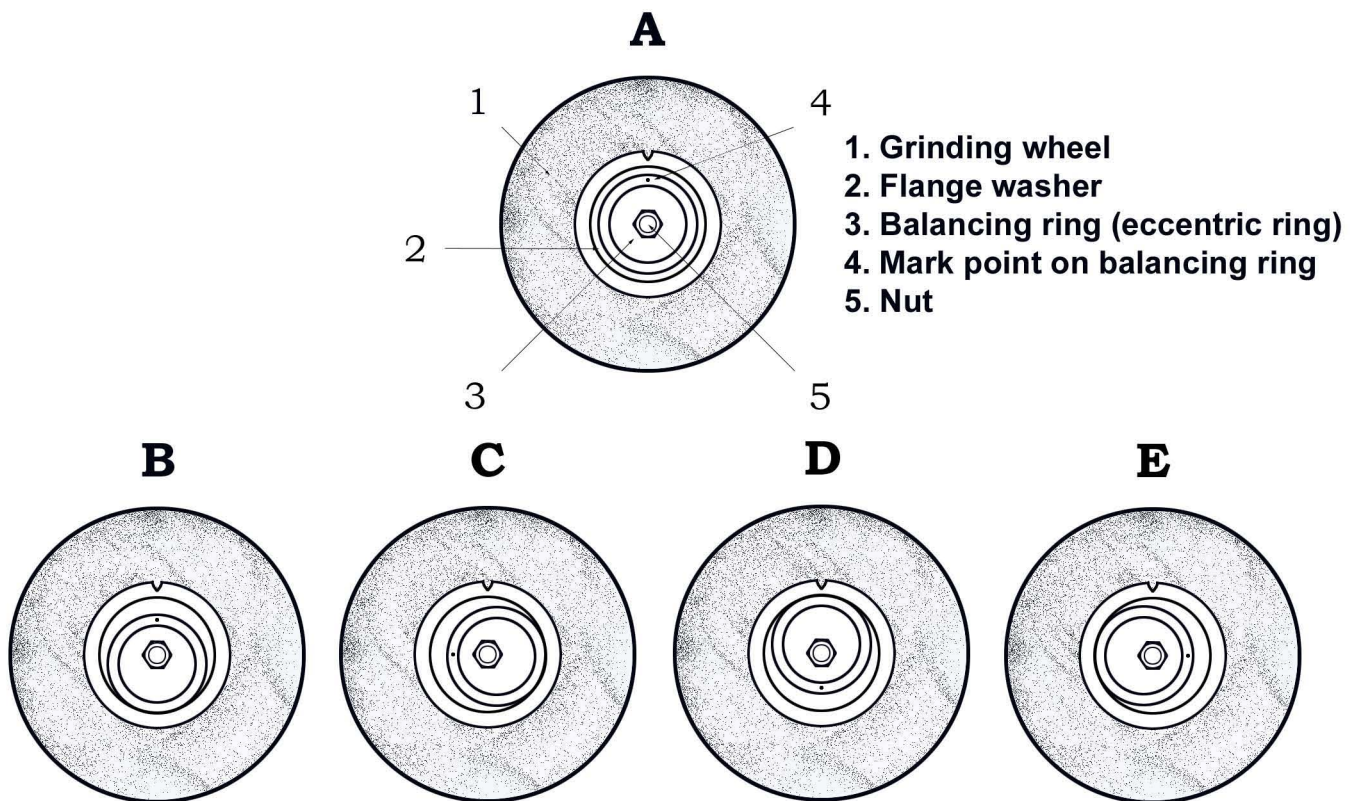
When sharpening hollow, make sure that the skate blade always has contact with the blade support roller (4a).

Do not move the skate too slowly against the grinding wheel and do not apply too much pressure against it. The skate blade may be "burnt" because too much heat is generated locally!

When sharpening, keep your hands on the skate and not on the skate holder. Do not let the skate carry too much weight of your hands. Otherwise the skate blade will tilt from the horizontal plane.

MAINTENANCE

HOW TO CHANGE AND BALANCE THE GRINDING WHEEL



1. Grinding wheel
2. Flange washer
3. Balancing ring (eccentric ring)
4. Mark point on balancing ring
5. Nut

1. First test the grinding wheel for cracks. Hold the wheel on a finger (through the center hole) and gently tap on it. By listening to the sound you can check whether the wheel contains cracks. Remove the protective cover, the nut, the balancing ring, the flange washer and the old grinding wheel. (To avoid wobbling of the grinding wheel, remember to thoroughly clean flange, flange washer and grinding wheel mounting surface before mounting.) Then put the new grinding wheel on top of the flange. Put the flange washer and then the balancing ring on top (in the neutral position, i.e. centered with the mark point in the 12 o'clock direction). Fasten the nut with the grinding wheel having some selected mark (selected by you) in the 12 o'clock direction. Start the engine and dress the grinding wheel with one of the diamonds. Don't forget to have the protective cover on! If the grinding wheel vibrates, adjust using the following scheme. (The grinding wheel will impart vibrations to the whole machine. They are most easily felt at the end of the guide arm at the skate holder.)
2. Stop the engine and direct the grinding wheel in the 12 o'clock direction. Loosen the nut and move the balancing ring somewhat in the 6 o'clock direction (i.e. an eccentric position). Fasten the nut and restart the engine. Remember how much the grinding wheel vibrates (*Fig. B*).
3. Do as in step 2, but with the mark point in the 9 o'clock, 6 o'clock and 3 o'clock directions. The amount of eccentricity of the balancing ring should be kept the same (*Figs. C, D, E*).
4. If there are fewer vibrations in some direction, turn the balancing ring so that its mark point has that direction. If two directions give fewer vibrations than the others, put the mark point direction between the two. Then fasten the grinding wheel with the balancing ring adjusted. Start the engine and dress the grinding wheel. If the grinding wheel still vibrates, make a precision adjustment.
5. If a precision adjustment is needed, move the balancing ring in small amounts to be more centered or more eccentric or change the direction of its mark point slightly. Start the engine, dress the grinding wheel and test if the vibrations lessen. This is an iterative procedure. It should be possible to adjust until the vibrations practically disappear.

MAINTENANCE (continued)

SERVICE

If the machine is used correctly and only for sharpening skates then service is seldom needed. However, the grinding wheel and diamonds should regularly be replaced. The grinding wheel should be replaced when the distance between its outer diameter and the front edge of the protective cover has decreased to approximately 10 mm. (When the diameter of the grinding wheel goes below 120 mm, the grinding wheel should be replaced to give a good result.) To retain the capacity of the machine and to continue to get a good result, always keep the machine clean. Clean the outside. Remove dust with a soft brush if needed.

WARNING! A complete service should always be performed by a qualified technician. When performing maintenance yourself (e.g. replacing grinding wheel or diamonds) ensure that the electric plug is disconnected. To avoid danger, work on electrical parts should always be done by a qualified technician.

For power tools with type Y attachment: if the replacement of the supply cord is necessary, this has to be done by the manufacturer or his agent in order to avoid a safety hazard.

TECHNICAL SPECIFICATIONS AND DIMENSIONS

HEIGHT (without holder and extractor tube): 320 mm
WIDTH (without holder and extractor tube): 250 mm
LENGTH (without holder and extractor tube): 350 mm
WEIGHT (without holder and extractor tube): 14.8 kg
POWER: 250 W
VOLTAGE: 220-240 V
FREQUENCY: a.c. (1-phase) 50-60 Hz
MAXIMUM RPM: 2800-3400 RPM

GRINDING WHEEL TYPE: Type S-2 from SSM
GRINDING WHEEL DIMENSIONS: 150 * 6 * 38 mm

DIAMOND: For flat sharpening: SD-50, SD-80 or D-80
For hollow sharpening: SD-80 or D-80

THE MACHINE IS INTENDED FOR INTERMITTENT USAGE (on 60s / off 60s).

It is also available in a  approved 110-120 V version.

Intertek

Your SSM Produkt AB distributor:

ACCESSORIES

GRINDING WHEELS

S-2/60



Pink
Grit size 60
Standard wheel

S-2/HP70



Yellow
Grit size 70: special
For professional teams

S-2/ME60



Pink/purple
Grit size 60: ceramic
Excellent on all steels

S-2/K80



Light blue
Grit size 80: ceramic
For professional teams

DIAMOND DRESSERS

D-80



Natural diamond
For:
Pivot device &
Flat surface device

SD-80



Synthetic diamond
For:
Pivot device &
Flat surface device

SD-50



Synthetic diamond
For:
Flat surface device

WHETSTONES OR HAND HONES

B-SSM



From silicon carbide
One fine grit size
Size: 75x18x10 mm

BB-SSM



From silicon carbide
Same mixture as B-SSM
Size: 75x25x10 mm

CB-SSM



From aluminum oxide
Two different grit sizes
Size: 75x18x10 mm

DB-SSM



Diamond hand hone
Precision tool
Handle with care!
Size: 75x25x5.5 mm

EXHAUST SYSTEMS

U-840



Welding fume exhaust
Very high quality
Uses the U-324 filter

NQS500



Dust extractor
Very powerful and quiet motor
Uses a cyclone intake

ACCESSORIES

EQUIPMENT

V-2



Transport case for SSM-2
Size: 420x330x360 mm
Very durable to thrusts

BEC



Blade Edge Checker:
Controls that a sharpening is centered on the skate blade.

SKR



Blade Straightener:
Used to straighten a bent skate blade.

SKATE HOLDERS

H-5



Original skate holder
For:
Ice hockey and Bandy
(not small childrens skates)

H-7



Goalie skate holder
For:
All goalie skates

H-8



Universal skate holder
For:
All skates (except some figure skates and four skates)

H-10



Universal skate holder
For:
All skates (except some figure skates and large goalie skates)

H-10 S



Figure skate holder
For:
Figure skates and special ones like Matrix and Paramount)

H-10 P

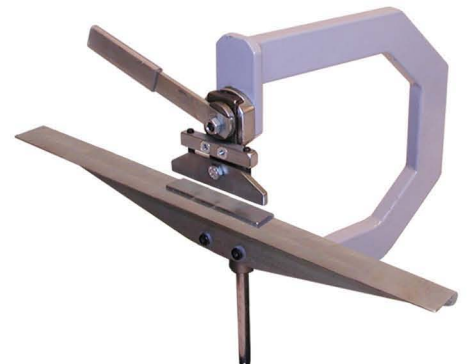


Figure skate holder
For:
Figure skates and special ones like revolution, parabolic, tapered